



Lemcar Industrial Park
100 Buckshollow Road
PO Box 863
Mahopac, NY 10541

Tel. (845) 628-1445
Fax (845) 628-1344
Email: MRWSERVICE@MSN.COM
Website: mrw-technologies.com

WIRE PROFILING GEARBOX M-71 171 M-408 226

(New Style With Hand Wheel Adjustment)

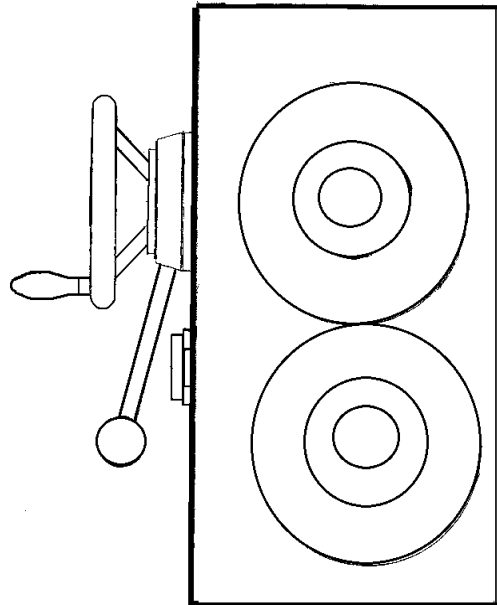
OVERHAUL CONDITIONS & GENERAL PRICE QUOTE

MINIMUM CONDITION OF THE GEARBOX:

- Gearbox must still be assembled
- Castings must be in good condition

OVERHAUL INCLUDES:

- Replacement of seals, o-rings, bearings.
- Set the preload of the tapered roller bearings
- End play of the output shaft is set
- Running the gearbox.



Once it is warm, some wire is profiled and the profiled dimension is checked in several areas. This is the final test.

In the unlikely event that shafts or gears are discovered to be damaged beyond repair, there will be an additional charge. You will be informed before we proceed further.

COST:

The price of this overhaul as outlined above is **please call**. This price does not include shipping.

The price for an exchange gearbox is **please call**. This price does not include shipping.

Sale price of the Gearbox **please call**.

Output Shaft Part # DP50669 is **please call**.

GUARANTEE:

If perfectly concentric profiling rolls are used, we guarantee the gearbox to hold the wire profile to within .002" and to run smoothly for 100 million cans. At the time of installation, our performance form (sent with the Gearbox) must be filled out and returned to us for this guarantee to be valid.